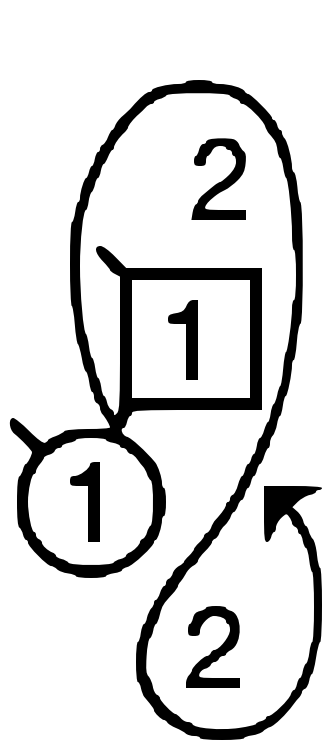
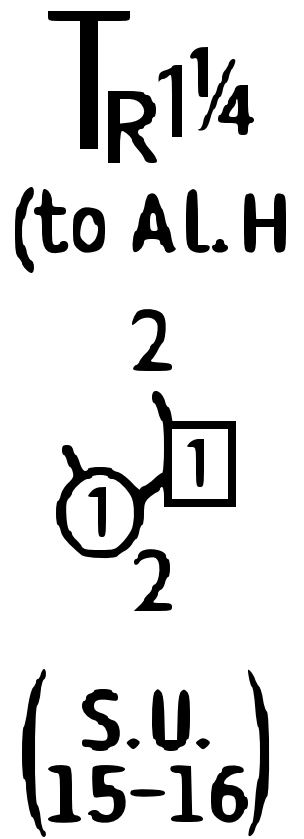
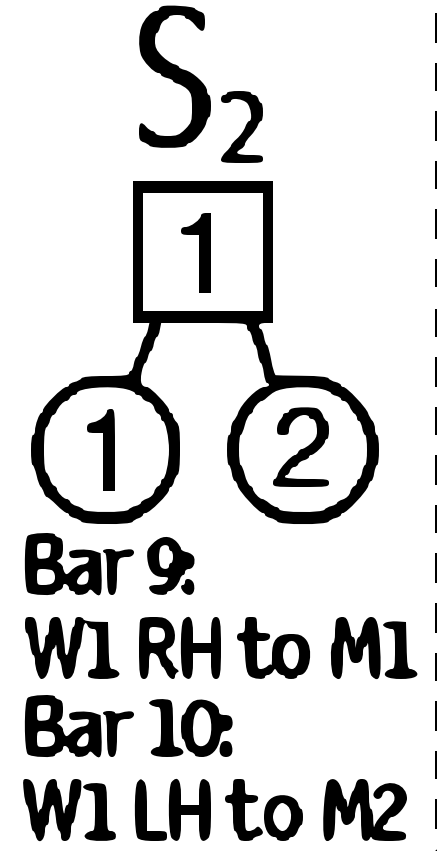
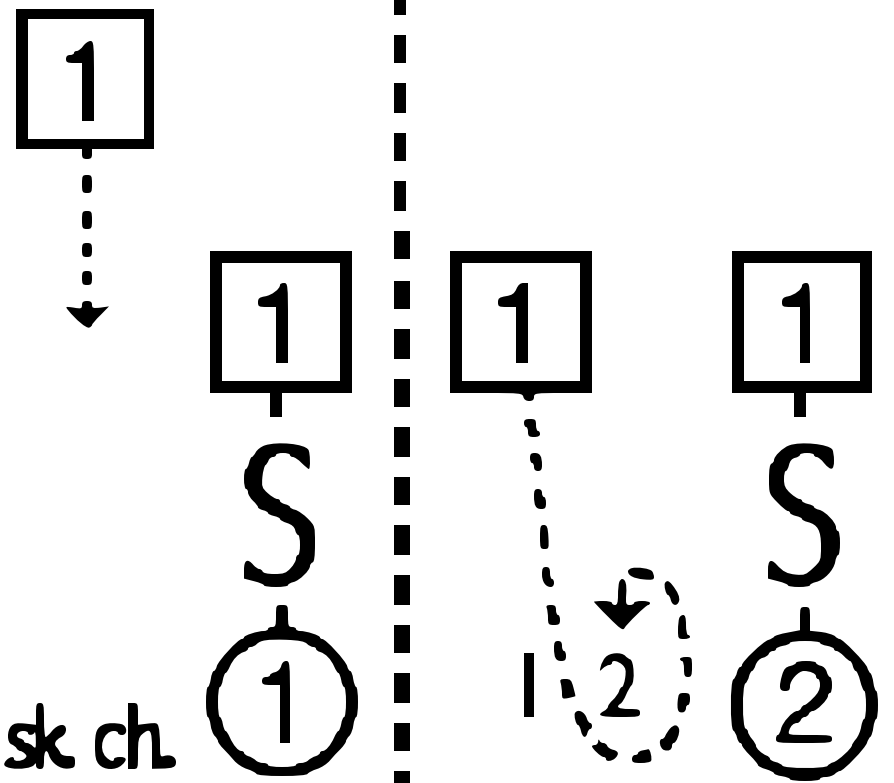


JEANNIE O' THE WITCHIN' E'E

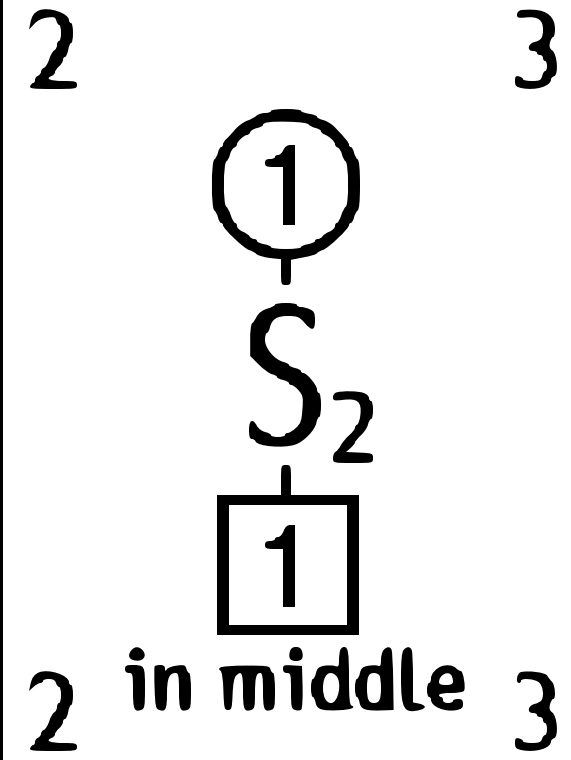
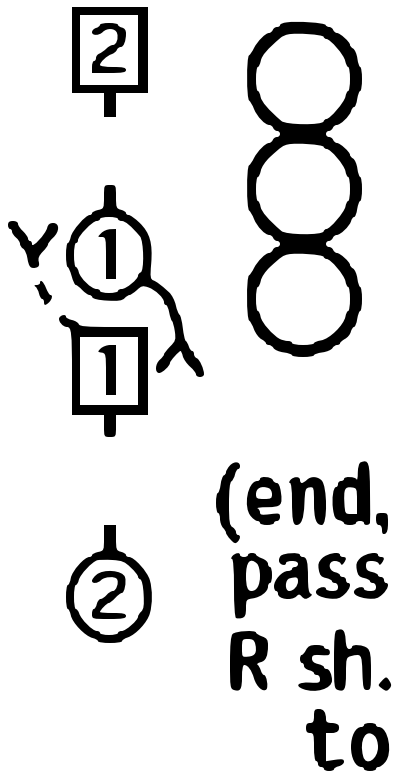
MacNab II

3

J40



(end: M1 turns W1 L. abt under R arms, then pass L. sh., to



$T_{R^{1\frac{1}{2}}}$